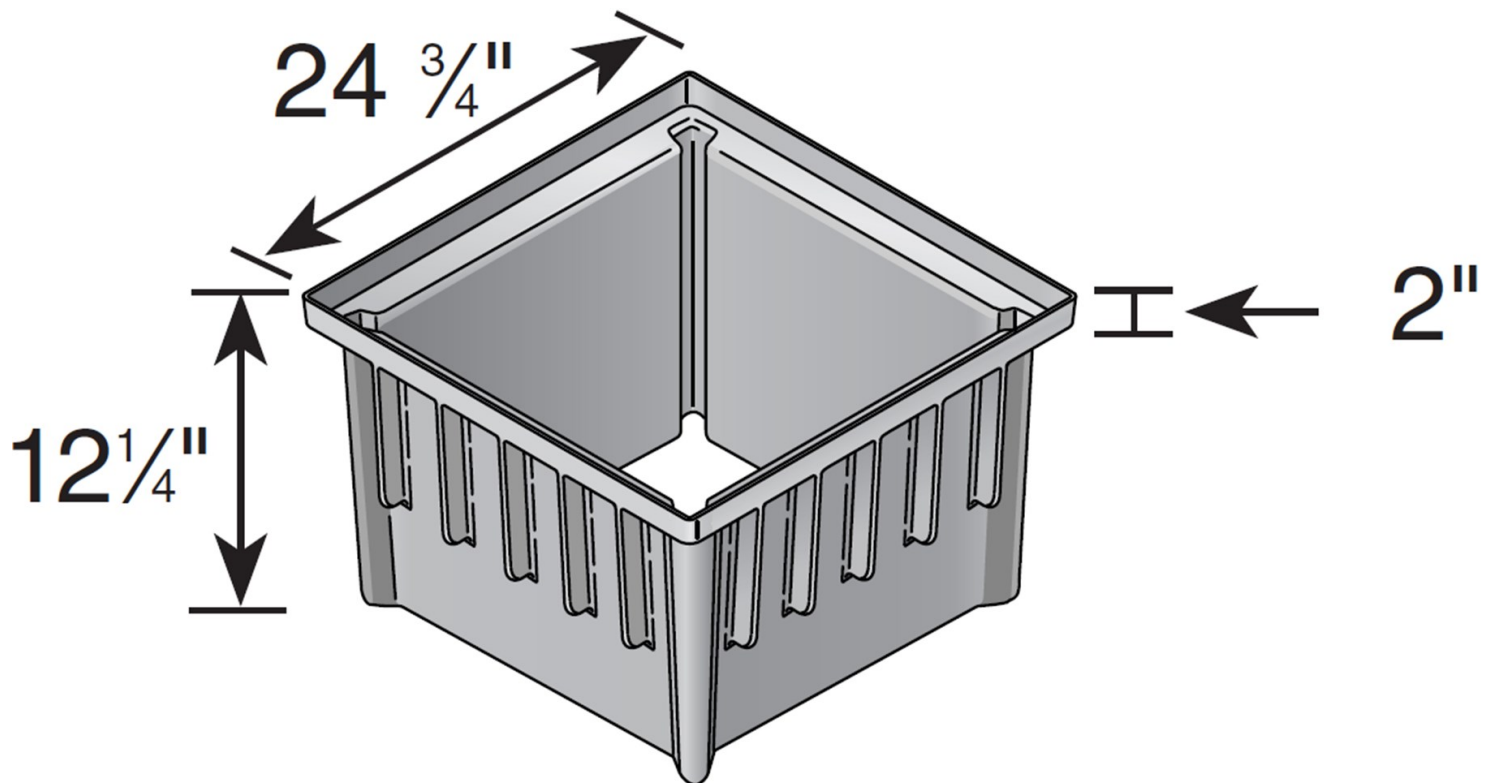


24" x 24" Catch Basin Extension



Part #: 2418
Material: HDPE (High Density Polyethylene)
Color: Black
Fits: #2400 and #2404 Catch Basin.
Nesting Height: 10-1/2"
Weight Per Each: 14.11 lbs.
UV inhibitor

Supplied By:

**TRENCHDRAIN
SUPPLY**

877-903-7246

www.trenchdrainsupply.com

